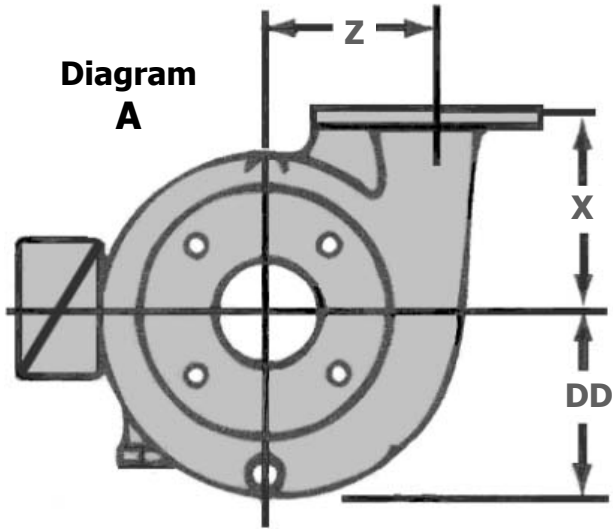


Replacing your Old 1531 with the New e1531 pumps

The face end (shown in diagram A) on both the "old" 1531 and the new e1531 pumps **share the same Z, X and DD dimensions.**

Replacing the old style Bell & Gossett 1531 pump with the new e1531 pump series should not present any "piping-in" challenges, except for the 1531 2BC vs. e1531 2BD. See the following page for pump dimension details.

Please note that the old style 1531 models ending in "E" (2E, 3E, 4E, 5E and 6E) are no longer made. They have been replaced by the e-1532 series of pumps. **e-1532 information at bottom of page.**



Sample e-1531 Identification Nameplate

| | | | | | |
|---|-----------------------|---------------------------------|-------------------|------|------|
| Size | Series | Pump Construction | Impeller Diameter | Flow | |
| Bell & Gossett MORTON GROVE, IL USA ASSEMBLED IN U.S.A. | | | | | |
| Size | e-1531 | SSF | 6.625 | GPM. | 115 |
| | 2AD | | | FT. | 40 |
| SERIAL NO. | CL2396-02 | | D-51 | HP. | 2 |
| MAX. WORKING PRESSURE | 175 | MOD. | | RPM. | 1750 |
| Serial Number | Max. Working Pressure | Date Manufactured (April, 2015) | RPM | Head | HP |

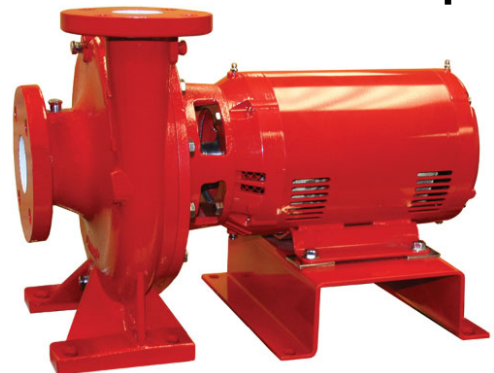
The new B&G e-1531 pumps deploy a more energy efficient volute — the portion of the pump that connects to your system piping. The internal design of the new e-1531 volute allows less restriction in liquid flowing through the volute.

The Bell & Gossett e-1532 pump replaces the larger "E" pumps within the old 1531 category. This includes the 1531 2E, 3E, 4E, 5E and 6E sizes (see above I.D. nameplate - what B&G calls a "Size" looks more like a model number).

The e-1532 shares the same Z and X dimensions as its related old style 1531 pump. However, the DD dimension of the e-1532 pump is greater than the DD dimension on the old 1531 pump.

Please see the comparison chart on the following page to review the posted pump dimensions and the "differences" to consider when replacing the pump.

Bell & Gossett e-1532 Pump



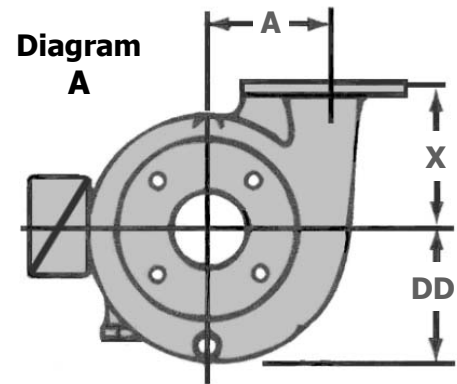
See Pump Replacement Comparison Chart on the Following Page

Piping In Old vs. New e1531 Pump: 1531 Dimensional Comparison Guide

In 2015, Bell & Gossett upgraded their old 1531 series pump to the new e-1531 pump. Changes to the internal configuration of the volute provided less restriction in pump flow through the volute. Also, impellers and shaft sleeves are now stainless steel.

Use the comparison chart below to determine if you will have any dimensional "piping-in" discrepancies when replacing an old Bell & Gossett 1531 model with the new e-1531 series of pumps. In 95% of the replacement scenarios you should encounter no problems. The difference (old vs. new) with the old model 1531: 2BC vs. the new e1531 2BD.

The e-1532 models differ from the old E model 1531 in the DD dimension. Please review chart below for more details.



Dimensions for Flanged or NPT connections.

* NPT pipe connections, otherwise 125 ANSI flanged connections. Overall length depends on motor HP & motor frame size.

| Old 1531 Piping-In Dimensions (inches) | | | | | | Replacement e-1531 Pump, Pipe-In Dimn. (inches) | | | | | |
|--|---------|-----------|--------------|--------|-------|---|---------|-----------|--------------|--------|-------|
| Model | Suction | Discharge | DD | X | Z | Model | Suction | Discharge | DD | X | Z |
| 1¼AC | *1½ | *1¼ | 4.750 | 5.000 | 4.500 | 1¼AD | *1½ | *1¼ | 4.750 | 5.000 | 4.500 |
| 1½AC | *1½ | *2 | 5.000 | 6.000 | 4.625 | 1½AD | *1½ | *2 | 5.000 | 6.000 | 4.625 |
| 2AC | 2½ | 2 | 5.500 | 6.500 | 4.750 | 2AD | 2½ | 2 | 5.500 | 6.500 | 4.750 |
| 2½AB | 3 | 2½ | 5.810 | 6.000 | 4.690 | 2½AD | 3 | 2½ | 5.810 | 6.000 | 4.690 |
| 3AC | 4 | 3 | 6.250 | 6.000 | 5.000 | 3AD | 4 | 3 | 6.250 | 6.000 | 5.000 |
| 4AC | 5 | 4 | 6.875 | 7.500 | 5.750 | 4AD | 5 | 4 | 6.875 | 7.500 | 5.750 |
| 5A | 6 | 5 | 7.875 | 8.500 | 6.250 | 5A | 6 | 5 | 7.875 | 8.500 | 6.250 |
| 1¼BC | *1½ | *1¼ | 6.125 | 8.000 | 5.500 | 1¼BD | *1½ | *1¼ | 6.125 | 8.000 | 5.500 |
| 1½BC | *1½ | *2 | 6.250 | 6.500 | 5.250 | 1½BD | *1½ | *2 | 6.250 | 6.500 | 5.250 |
| 2BC | 2½ | 2 | 6.875 | 7.000 | 5.875 | 2BD | 2½ | 2 | 6.125 | 7.000 | 5.875 |
| 2½BB | 3 | 2½ | 7.250 | 6.750 | 6.000 | 2½BB | 3 | 2½ | 7.250 | 6.750 | 6.000 |
| 3BC | 4 | 3 | 7.000 | 7.500 | 6.125 | 3BD | 4 | 3 | 7.000 | 7.500 | 6.125 |
| 4BC | 5 | 4 | 8.625 | 8.000 | 7.000 | 4BD | 5 | 4 | 8.625 | 8.000 | 7.000 |
| 5BC | 6 | 5 | 9.500 | 10.000 | 7.500 | 5BD | 6 | 5 | 9.500 | 10.000 | 7.500 |
| 6BC | 8 | 6 | 10.375 | 10.500 | 8.250 | 6BD | 8 | 6 | 10.375 | 10.500 | 8.250 |

The old 1531 models ending in "E" (see below) have been replaced by the related e-1532 pump

| Old 1531 "E" models: Piping-In Dimensions (inches) | | | | | | Replacement e-1532 Pump, Pipe-In Dimn. (inches) | | | | | |
|--|---|---|---------------|--------|-------|---|---|---|---------------|--------|-------|
| 2E | 3 | 2 | 7.6250 | 8.000 | 6.500 | 2EB | 3 | 2 | 10.000 | 8.000 | 6.500 |
| 3E | 4 | 3 | 8.500 | 9.500 | 7.375 | 3EB | 4 | 3 | 10.000 | 9.500 | 7.375 |
| 4E | 5 | 4 | 9.250 | 9.750 | 7.250 | 4EB | 5 | 4 | 10.000 | 9.750 | 7.250 |
| 5E | 6 | 5 | 9.625 | 10.500 | 7.93 | 5EB | 6 | 5 | 11.000 | 10.500 | 7.93 |
| 6E | 8 | 6 | 10.875 | 11.000 | 8.47 | 6EB | 8 | 6 | 12.000 | 11.000 | 8.47 |