

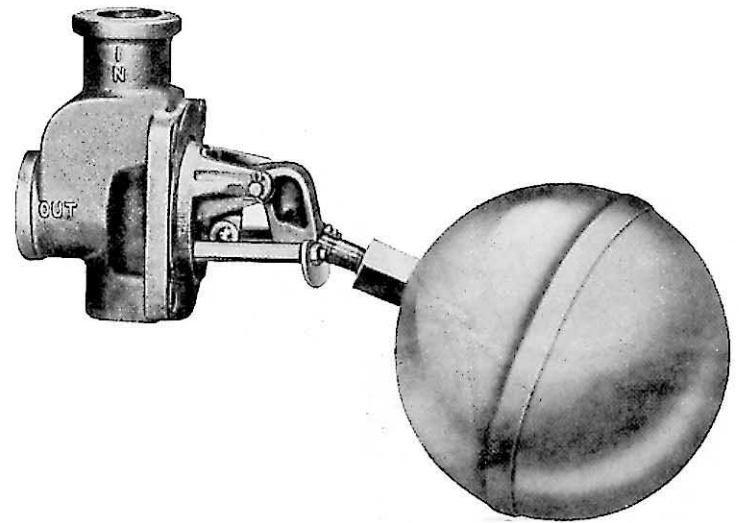
McDonnell & Miller No. 27W Float and Valve Mechanism

The McDonnell & Miller No. 27W Valve Mechanism is a float operated valve that automatically adds water or other liquids whenever necessary to maintain a prescribed level, its versatility and large feeding capacity fit it for a wide range of applications. Its simplicity of design and quality of construction provides dependability.

The No. 27W Valve Mechanism can be used to add make-up water to condensate receiving tanks, to maintain levels in distillation equipment, and for many other liquid level control jobs. It can be flange-mounted directly in the side of a tank or receiver, to feed water through a separate feed line. Mounted in this manner a small percentage of water will feed through the valve mechanism. It can also be mounted inside, to spill water directly into the tank.

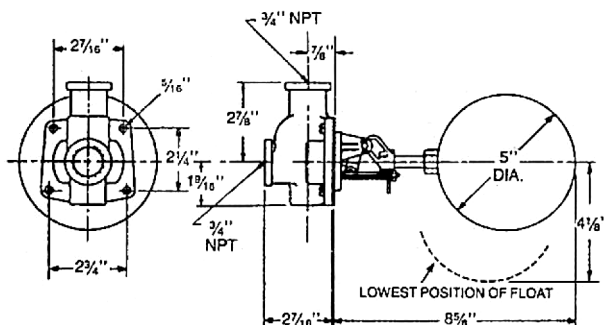
Valve stem seating area is made of high temperature composition. Valve seat is of monel, and located a full 1½" above the closing level. Positive alignment of the valve is assured by the cam-and-roller straight-thrust action, and by the valve guides which are cast as an integral part of the machined valve body.

All parts are of non-corrosive materials, and all bearings unusually husky. The entire valve body is a one-piece brass casting.

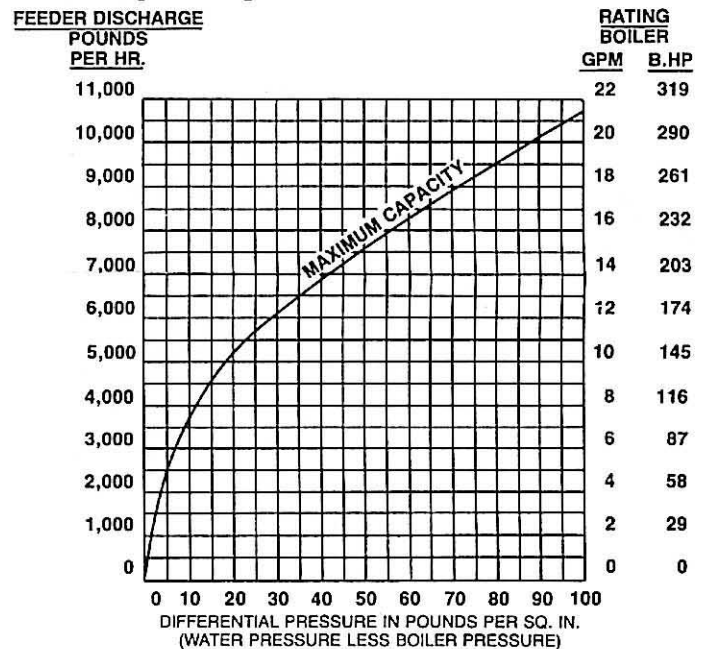


**Maximum Water Supply Pressure, 100psi
Shipping Weight, 6 lbs.**

Dimension Details—No. 27W

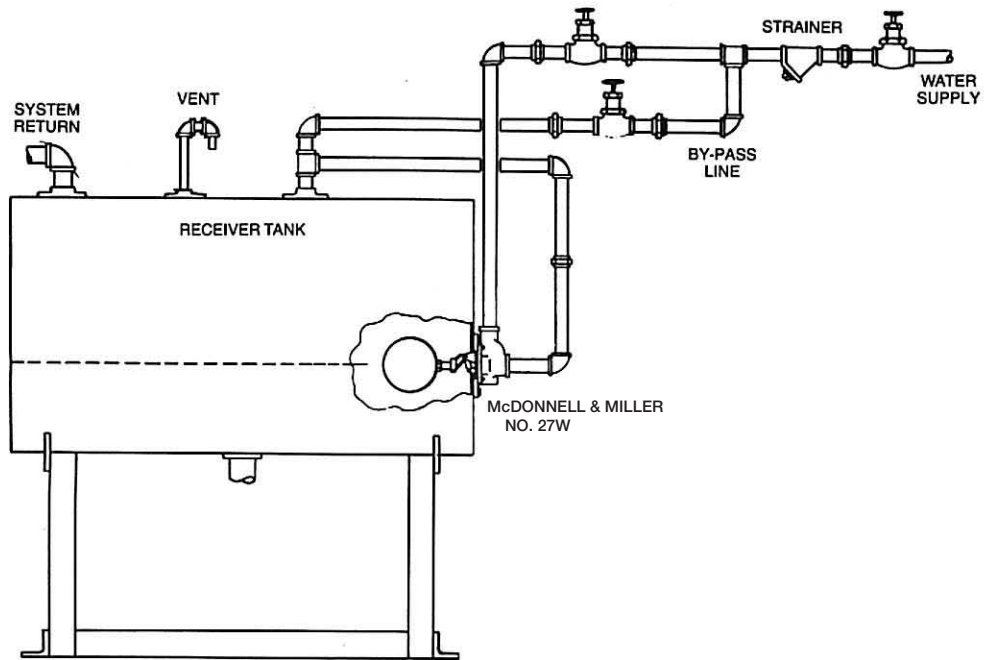


Capacity Curve—No. 27W

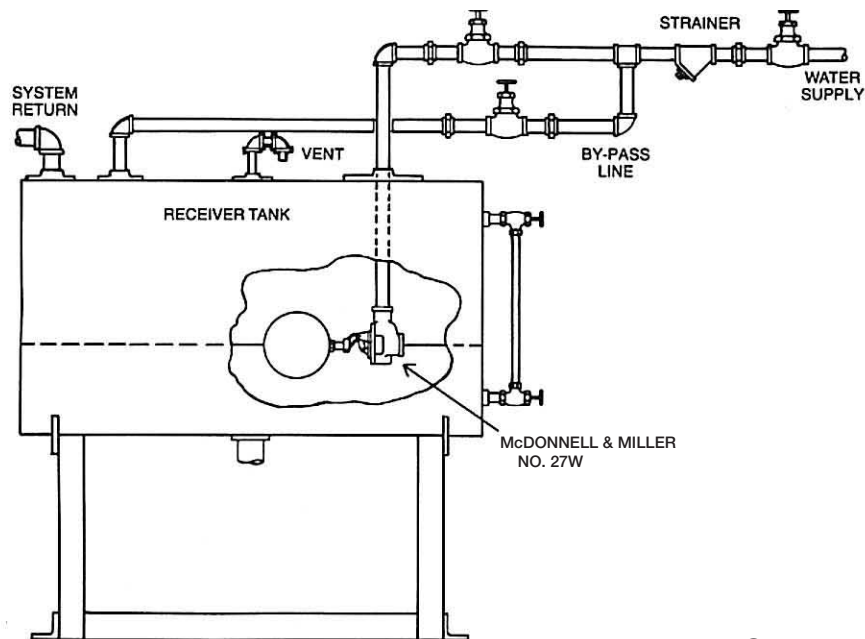


TYPICAL INSTALLATIONS

McDONNELL & MILLER No. 27W



McDonnell & Miller No. 27W — Flange Mounted Outside Receiver Tank



McDonnell & Miller No. 27W — Mounted Inside Receiver Tank

MAINTENANCE:

- Blow down tank weekly during heating season. Blow down may have to be more frequent depending on local water conditions and the amount of make-up water
- Replace control every 5 years.

WARNING



- Before using this product read and understand instructions.



- Save these instructions for future reference.



- All work must be performed by qualified personnel trained in the proper application, installation, and maintenance of plumbing, steam, and electrical equipment and/or systems in accordance with all applicable codes and ordinances.



- Drain water level down below feeder and let cool to 80° (27°C) before servicing.



- If tank or receiver is pressurized relieve pressure to 0 psi (0 Bar) before servicing.

- To prevent water damage check to make sure there is adequate floor drainage capacity. Check all components in the system to insure they will not leak in the event of an overfeed condition.

- **California Proposition 65 warning!** This product contains chemicals known to the state of California to cause cancer and birth defects or other reproductive harm.

- Previous controls should never be installed on a new system. Always install new controls on a new boiler or system.

Failure to follow this warning could cause property damage, personal injury or death.

CAUTION:

- A more frequent replacement interval may be necessary based on the condition of the unit at time of inspection. McDonnell & Miller's warranty is one (1) year from date of installation or two (2) years from the date of manufacture.

xylem
Let's Solve Water

Xylem Inc.
8200 N. Austin Avenue
Morton Grove, Illinois 60053
Phone: (847) 966-3700
Fax: (847) 965-8379
www.xylem.com/brands/mcdonnellmiller

McDonnell & Miller is a trademark of Xylem Inc. or one of its subsidiaries.
© 2013 Xylem Inc. SI-27W-C July 2013 Part No. 246735