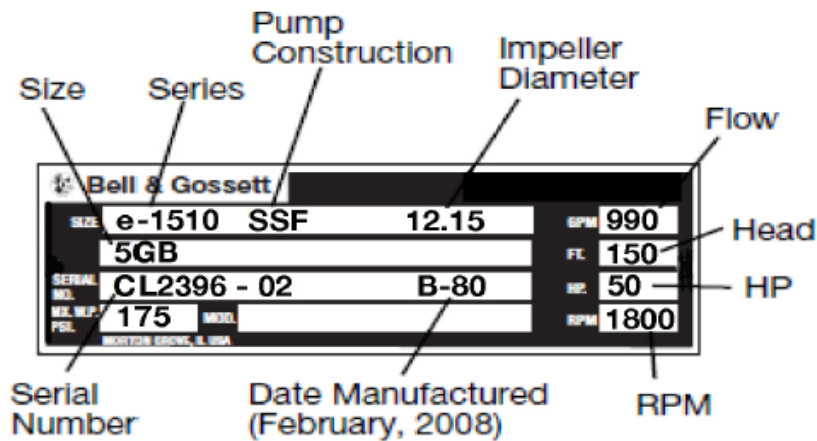


Series e-1510

REPLACEMENT PARTS FOR STANDARD DESIGN PUMPS

Nameplate Data



The pump nameplate identifies the pump by pipe size, pump construction and impeller diameter as shown above. In this example, the nameplate shows a Series e-1510, size 5GB in stainless steel fitted (SSF) construction. The pump was furnished with a 12.15" impeller diameter and a 50 horsepower, 1800 RPM synchronous speed motor. The serial number specifically identifies the unit for future reference.

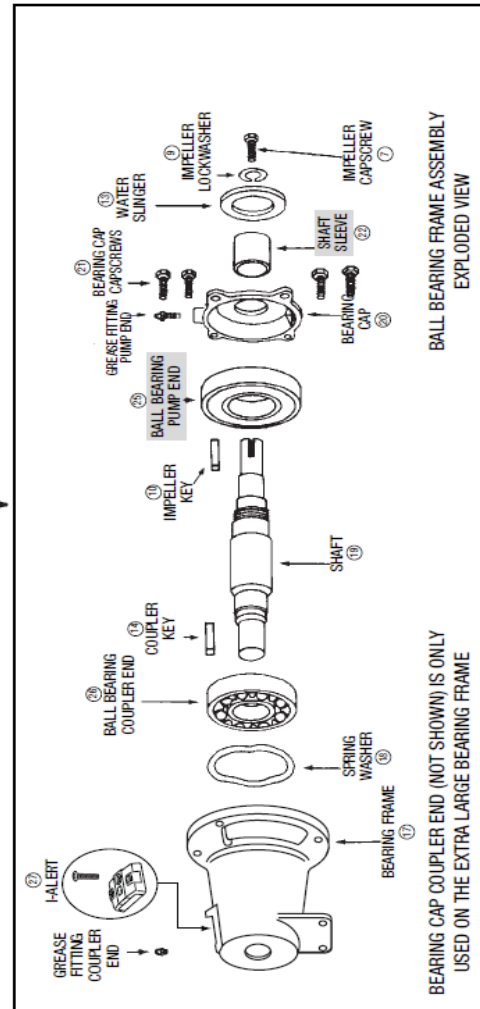
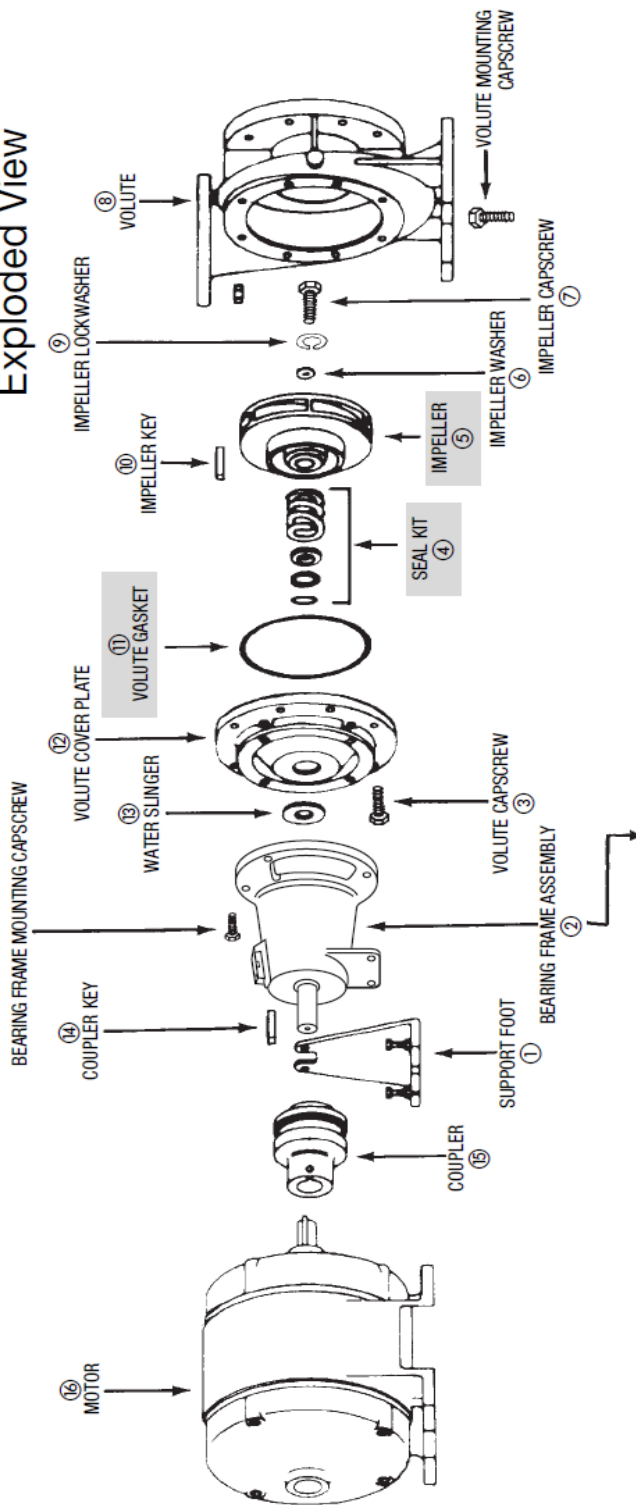
DO NOT REMOVE THE NAMEPLATE. It is important when ordering replacement parts to furnish complete nameplate data.

The e-1510 pump is furnished with both "Standard Seal" or "Stuffing Box" configuration. The "Standard Seal" pump has no seal designation after the Series number on the nameplate. If the example pump was of "Stuffing Box" configuration, the nameplate would show it to be a e-1510-S or e-1510-PF pump. Parts for "Stuffing Box" type pumps are covered under the CP-209-PL parts list.

To ensure the correct parts are selected, use the following procedure:

1. Determine from nameplate the pump size, seal configuration, pump construction and impeller diameter.
2. Measure shaft sleeve diameter at the seal.
3. Refer to the index for the page number of the parts breakdown for the specific size pump.
5. Select part numbers using the exploded view numbered drawing for identification. Where shaft diameter affects parts selection, use the measurement secured in Step 2.

Standard Seal Design Pump Exploded View



- Factory recommended spare parts.

ITEM	DESCRIPTION (QTY)	1.25AD	1.5AD	2AD	2.5AC	3AD	4AD	5A
8	Volute (175 MWP)	P2000822	P2000838	P2000852	P2000848	P2000856	P2000832	P43663
	Volute (175 MWP) with Stainless Steel Wear Ring	P2000899	P2000900	P2001194	P2000901	P2000902	P2000904	P2001642
	Stainless Steel Wear Ring	P2001179	P2001180	P2001195	P2001181	P2001182	P2001183	P2001645
	Volute Drain Plug (4)	P39020	P39020	P39040	P39040	P39040	P39040	P39040
11	Volute Gasket	P57700	P57700	P57700	P57700	P57700	P57700	P57700
15	Coupling - See Selection Table							
	See ANSI/OSHA Guard & Bracket Kit Selection Table							
Parts for Pumps With 1.25" Shaft Sleeve Diameter at Mechanical Seal (Small Bore)								
5	Impeller (State Diameter) 7" Full Diameter	P2000824	P2000840	P2000854	P2000850	P2000858	P2000919	P2001003
6	Impeller Washer	P46380	P46380	P46380	P46380	P46380	P46380	P46380
12	Volute Coverplate	186482	186482	186482	186482	186482	186482	186482
12	Volute Coverplate – "F" Construction	P61131	P61131	P61131	P61131	P61131	P61131	P61131
3	Volute Capscrew (8)	P40020	P40020	P40020	P40020	P40020	P40020	P40020
4	Seal Kit Buna / Carbon vs Ceramic	186862LF	186862LF	186862LF	186862LF	186862LF	186862LF	186862LF
4	Seal Kit EPR / Carbon vs Tungsten Carbide	186861LF	186861LF	186861LF	186861LF	186861LF	186861LF	186861LF
4	Seal Kit FKM / Carbon vs Ceramic	P95503	P95503	P95503	P95503	P95503	P95503	P95503
4	Seal Kit EPR / Silicon Carbide vs Silicon Carbide	P75423	P75423	P75423	P75423	P75423	P75423	P75423
2	Complete Bearing Frame Assembly	185011LF	185011LF	185011LF	185011LF	185011LF	185011LF	185011LF
17	Bearing Frame	P2001125	P2001125	P2001125	P2001125	P2001125	P2001125	P2001125
19	Shaft	P78927	P78927	P78927	P78927	P78927	P78927	P78927
7	Impeller Capscrew	P52350	P52350	P52350	P52350	P52350	P52350	P52350
9	Impeller Lockwasher	J23874	J23874	J23874	J23874	J23874	J23874	J23874
10	Impeller Key	P49369	P49369	P49369	P49369	P49369	P49369	P49369
14	Coupling Key	P49373	P49373	P49373	P49373	P49373	P49373	P49373
13	Water Slinger	P53550	P53550	P53550	P53550	P53550	P53550	P53550
18	Spring Washer	J92558	J92558	J92558	J92558	J92558	J92558	J92558
20	Bearing Cap	P75606	P75606	P75606	P75606	P75606	P75606	P75606
21	Bearing Cap Capscrew (4)	J92291	J92291	J92291	J92291	J92291	J92291	J92291
25	Ball Bearing - Pump End	186002NG	186002NG	186002NG	186002NG	186002NG	186002NG	186002NG
26	Ball Bearing - Coupling End	186001NG	186001NG	186001NG	186001NG	186001NG	186001NG	186001NG
22	Stainless Steel Shaft Sleeve Kit	185141	185141	185141	185141	185141	185141	185141
Parts for Pumps With 1.625" Shaft Sleeve Diameter at Mechanical Seal (Large Bore)								
5	Impeller (State Diameter) 7" Full Diameter	Not Available	P2001149	P2000909	P2000860	P2000921	P2001005	
6	Impeller Washer		P51230	P51230	P51230	P51230	P51230	
12	Volute Coverplate		P49940	P49940	P49940	P49940	P49940	
12	Volute Coverplate – "F" Construction		P49941	P49941	P49941	P49941	P49941	
3	Volute Capscrew (8)		P44250	P44250	P44250	P44250	P44250	
4	Seal Kit Buna / Carbon vs Ceramic		186543LF	186543LF	186543LF	186543LF	186543LF	
4	Seal Kit EPR / Carbon vs Tungsten Carbide		185225LF	185225LF	185225LF	185225LF	185225LF	
4	Seal Kit FKM / Carbon vs Ceramic		P77046	P77046	P77046	P77046	P77046	
4	Seal Kit EPR / Silicon Carbide vs Silicon Carbide		P75424	P75424	P75424	P75424	P75424	
2	Complete Bearing Frame Assembly		185014LF	185014LF	185014LF	185014LF	185014LF	
17	Bearing Frame		P2001127	P2001127	P2001127	P2001127	P2001127	
19	Shaft		P79027	P79027	P79027	P79027	P79027	
7	Impeller Capscrew		P13800	P13800	P13800	P13800	P13800	
9	Impeller Lockwasher		J23875	J23875	J23875	J23875	J23875	
10	Impeller Key		P49372	P49372	P49372	P49372	P49372	
14	Coupling Key		P49373	P49373	P49373	P49373	P49373	
13	Water Slinger		P53720	P53720	P53720	P53720	P53720	
18	Spring Washer		J92560	J92560	J92560	J92560	J92560	
20	Bearing Cap		P75612	P75612	P75612	P75612	P75612	
21	Bearing Cap Capscrew (4)		DJ0066	DJ0066	DJ0066	DJ0066	DJ0066	
25	Ball Bearing - Pump End		186571NG	186571NG	186571NG	186571NG	186571NG	
26	Ball Bearing - Coupling End		186572NG	186572NG	186572NG	186572NG	186572NG	
22	Stainless Steel Shaft Sleeve Kit	185143	185143	185143	185143	185143		

TB Wood's Sure-Flex Coupling Selection Table

SHAFT SIZE	FRAME SIZE	SHAFT GAP (INCH)	H.P.	MOTOR SHAFT DIAMETER (INCH)	COMPLETE COUPLING (Includes Pump Flange, Motor Flange, Neoprene Sleeve)		NEOPRENE SLEEVE FOR WOOD'S COUPLING
FOR PUMPS WITH EXTRA SMALL AND SMALL BEARING FRAMES 1" SHAFT DIAMETER AT COUPLING	56	1.25	0.5 - 0.75	0.625	186868		P78804 (4J)
	143T-145T	1.75	1 - 1.5 - 2 - 3	0.875	186869		P78804 (4J)
	182T-184T	1.75	2 - 3 - 5 - 7.5	1.125	186870		P78729 (5J)
	213T	2.5	5 - 7.5 - 10	1.375	186871		P78791 (6J)
	215T	2.5	7.5 - 10 - 15	1.375	186871		P78791 (6J)
	254T	2.5	15 - 20	1.625	186873		P78792 (7S)
	256T	2.5	20 - 25	1.625	P63240		P78794 (8S)
FOR PUMPS WITH LARGE BEARING FRAME 1.25" SHAFT DIAMETER AT COUPLING	213T	3.75	7.5	1.375	186872		P78791 (6J)
	215T	3.75	10	1.375	186872		P78791 (6J)
	254T	3.75	15	1.625	P63239		P78792 (7S)
	256T	3.75	20	1.625	186874		P78794 (8S)
	284T	3.75	25	1.875	P63242		P78794 (8S)
	284T	4	25	1.875	P63243		P78794 (8S)
	286T	3.75	30	1.875	P63244		P78796 (9S)
	286T	4	30	1.875	P63244		P78796 (9S)
	284TS	3.75	30	1.625	P63239		P78792 (7S)
	286TS	3.75	40	1.625	186874		P78794 (8S)
	324T	4	40	2.125	P63245		P78796 (9S)
	326T	4	50	2.125	P63247		P78798 (10S)
	324TS	3.75	50	1.875	P63242		P78794 (8S)
	326TS	3.75	60	1.875	P63244		P78796 (9S)
	364T	4	60	2.375	P63248		P78798 (10S)
	364TS	4	60 - 75	1.875	P63244		P78796 (9S)
365T	4	75	2.375	P63250		P78802 (11S)	
365TS	4	75 - 100	1.875	P63246		P78798 (10S)	
404TS	4	100 - 125	2.125	P63253		P78802 (11S)	
SHAFT SIZE	FRAME SIZE	SHAFT GAP (INCH)	H.P.	MOTOR SHAFT DIAMETER (INCH)	Pump Flange	Motor Flange	NEOPRENE SLEEVE FOR WOOD'S COUPLING
FOR PUMPS WITH EXTRA LARGE BEARING FRAME 1.875" SHAFT DIAMETER AT COUPLING	324T	5.375	30	2.125	P82641	P82165	P78798 (10E)
	326T	5.375	40	2.125	P82641	P82165	P78798 (10E)
	364TS	5.375	60	1.875	P82641	P82641	P78798 (10E)
	365TS	5.375	75	1.875	P82643	P82643	P78802 (11E)
	404TS	5.375	100	2.125	P82643	P82169	P78802 (11E)

Factory recommended spare parts.