



Series e-80

Table of Contents

1 Introduction and Safety	3
1.1 Introduction.....	3
1.2 Safety.....	3
1.2.1 Safety terminology and symbols.....	3
1.2.2 Safety instruction decals.....	4
1.2.3 User safety.....	5
1.2.4 Protecting the environment.....	6
2 Transportation and Storage	7
2.1 Inspect the delivery.....	7
2.1.1 Inspect the package.....	7
2.1.2 Inspect the unit.....	7
2.2 Pump lifting.....	7
2.3 Long-term storage.....	8
3 Product Description	9
3.1 General description.....	9
3.2 Operational specifications.....	9
4 Installation	11
4.1 Preinstallation.....	11
4.1.1 Pump mounting guidelines.....	11
4.1.2 Pump location guidelines.....	11
4.1.3 Piping checklist.....	12
4.2 Typical pump installation.....	13
4.3 Typical system installation.....	16
5 Commissioning, Startup, Operation, and Shutdown	17
5.1 Preparation for startup.....	17
5.1.1 Check the rotation.....	17
5.2 Prime the pump.....	18
5.3 Start the pump.....	18
5.4 Pump operation precautions.....	18
5.5 Shut down the pump.....	19
5.6 Note on the packed pump operation.....	19
5.7 Vibration.....	20
6 Maintenance	21
6.1 Lubrication.....	21
6.2 Disassembly.....	21
6.2.1 Disassembly precautions.....	21
6.2.2 Drain the pump.....	21
6.2.3 Remove the pump assembly.....	21
6.2.4 Remove the impeller.....	22
6.2.5 Remove the mechanical seal (e-80-F).....	22
6.2.6 Remove the seal or packing rings (e-80-S, e-80-D, and e-80-PF).....	22
6.2.7 Remove the box type single mechanical seal (e-80-S).....	22
6.2.8 Impeller trimming guidelines.....	22
6.3 Pre-assembly inspections.....	23
6.3.1 Replacement guidelines.....	23

6.3.2 Shaft and sleeve inspection.....	24
6.4 Reassembly.....	24
6.4.1 Assemble the standard mechanical seal (e-80-F).....	24
6.4.2 Assemble the single mechanical seal (e-80-S).....	25
6.4.3 Assemble the box type single mechanical seal (e-80-S).....	25
6.4.4 Assemble the double mechanical seal (e-80-D).....	26
6.4.5 Assemble the packed stuffing box (e-80-PF).....	27
6.4.6 Install the impeller.....	27
6.4.7 Reinstall the pump assembly.....	28
6.4.8 Screw torque values.....	28
6.4.9 Dealer servicing	28
7 Product warranty.....	29

1 Introduction and Safety

1.1 Introduction

Purpose of this manual

The purpose of this manual is to provide necessary information for:

- Installation
- Operation
- Maintenance



CAUTION:

Read this manual carefully before installing and using the product. Improper use of the product can cause personal injury and damage to property, and may void the warranty.

NOTICE:

Save this manual for future reference, and keep it readily available at the location of the unit.

Requesting other information

Special versions can be supplied with supplementary instruction leaflets. See the sales contract for any modifications or special version characteristics. For instructions, situations, or events that are not considered in this manual or in the sales documents, please contact the nearest Xylem representative.

Always specify the exact product type and identification code when requesting technical information or spare parts.

1.2 Safety



WARNING:

- The operator must be aware of safety precautions to prevent physical injury.
 - Operating, installing, or maintaining the unit in any way that is not covered in this manual could cause death, serious personal injury, or damage to the equipment. This includes any modification to the equipment or use of parts not provided by Xylem. If there is a question regarding the intended use of the equipment, please contact a Xylem representative before proceeding.
 - Do not change the service application without the approval of an authorized Xylem representative.
-



CAUTION:

You must observe the instructions contained in this manual. Failure to do so could result in physical injury, damage, or delays.




1.2.1 Safety terminology and symbols

About safety messages

It is extremely important that you read, understand, and follow the safety messages and regulations carefully before handling the product. They are published to help prevent these hazards:



- Personal accidents and health problems
- Damage to the product and its surroundings
- Product malfunction

Hazard levels

Hazard level	Indication
 <p>DANGER:</p>	A hazardous situation which, if not avoided, will result in death or serious injury
 <p>WARNING:</p>	A hazardous situation which, if not avoided, could result in death or serious injury
 <p>CAUTION:</p>	A hazardous situation which, if not avoided, could result in minor or moderate injury
NOTICE:	Notices are used when there is a risk of equipment damage or decreased performance, but not personal injury.

Special symbols

Some hazard categories have specific symbols, as shown in the following table.

Electrical Hazard	Permanent-magnet hazard
 <p>Electrical Hazard:</p>	 <p>CAUTION:</p>

1.2.2 Safety instruction decals



WARNING:

The maximum working pressure of the pump is listed on the nameplate. Do not exceed this pressure. Failure to follow these instructions can result in serious personal injury, death, and/or property damage.

Alert symbol

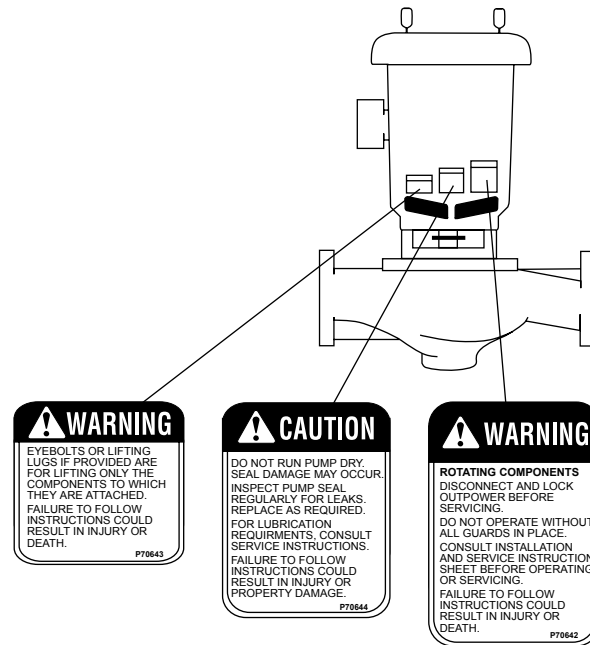


This safety alert symbol is used in manuals and on the safety instruction decals on the pump to draw attention to safety-related instructions. When used, the safety alert symbol means that failure to follow the instructions may result in a safety hazard.

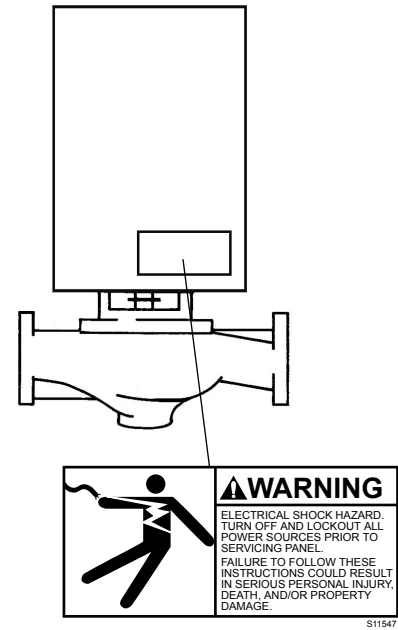
Decals

Make sure your pump has these safety instruction decals and that they are located as this figure shows. If the decals are missing or illegible, contact your local sales and service representative for a replacement.

All series e-80 Pumps



All series e-80 with optional ITSC



Make sure that all safety instruction decals are always clearly visible and readable.

1.2.3 User safety

General safety rules

These safety rules apply:

- Always keep the work area clean.
- Pay attention to the risks presented by gas and vapors in the work area.
- Avoid all electrical dangers. Pay attention to the risks of electric shock or arc flash hazards.
- Always bear in mind the risk of drowning, electrical accidents, and burn injuries.

Safety equipment

Use safety equipment according to the company regulations. Use this safety equipment within the work area:

- Hard hat
- Safety goggles, preferably with side shields
- Protective shoes
- Protective gloves
- Gas mask
- Hearing protection
- First-aid kit
- Safety devices

NOTICE:

Never operate a unit unless safety devices are installed. Also see specific information about safety devices in other chapters of this manual.

Electrical connections

Electrical connections must be made by certified electricians in compliance with all international, national, state, and local regulations. For more information about requirements, see sections dealing specifically with electrical connections.

Precautions before work

Observe these safety precautions before you work with the product or are in connection with the product:

- Provide a suitable barrier around the work area, for example, a guard rail.
- Make sure that all safety guards are in place and secure.
- Make sure that you have a clear path of retreat.
- Make sure that the product cannot roll or fall over and injure people or damage property.
- Make sure that the lifting equipment is in good condition.
- Use a lifting harness, a safety line, and a breathing device as required.
- Allow all system and pump components to cool before you handle them.
- Make sure that the product has been thoroughly cleaned.
- Disconnect and lock out power before you service the pump.
- Check the explosion risk before you weld or use electric hand tools.

Wash the skin and eyes

Follow these procedures for chemicals or hazardous fluids that have come into contact with your eyes or your skin:

Condition	Action
Chemicals or hazardous fluids in eyes	<ol style="list-style-type: none"> 1. Hold your eyelids apart forcibly with your fingers. 2. Rinse the eyes with eyewash or running water for at least 15 minutes. 3. Seek medical attention.
Chemicals or hazardous fluids on skin	<ol style="list-style-type: none"> 1. Remove contaminated clothing. 2. Wash the skin with soap and water for at least 1 minute. 3. Seek medical attention, if necessary.

1.2.4 Protecting the environment

Emissions and waste disposal

Observe the local regulations and codes regarding:

- Reporting of emissions to the appropriate authorities
- Sorting, recycling and disposal of solid or liquid waste
- Clean-up of spills

Exceptional sites



CAUTION: Radiation Hazard

Do NOT send the product to Xylem if it has been exposed to nuclear radiation, unless Xylem has been informed and appropriate actions have been agreed upon.

Recycling guidelines

Always follow local laws and regulations regarding recycling.

2 Transportation and Storage

2.1 Inspect the delivery

2.1.1 Inspect the package

1. Inspect the package for damaged or missing items upon delivery.
2. Note any damaged or missing items on the receipt and freight bill.
3. File a claim with the shipping company if anything is out of order.
If the product has been picked up at a distributor, make a claim directly to the distributor.

2.1.2 Inspect the unit

1. Remove packing materials from the product.
Dispose of all packing materials in accordance with local regulations.
2. Inspect the product to determine if any parts have been damaged or are missing.
3. If applicable, unfasten the product by removing any screws, bolts, or straps.
For your personal safety, be careful when you handle nails and straps.
4. Contact the local sales representative if there is any issue.

2.2 Pump lifting

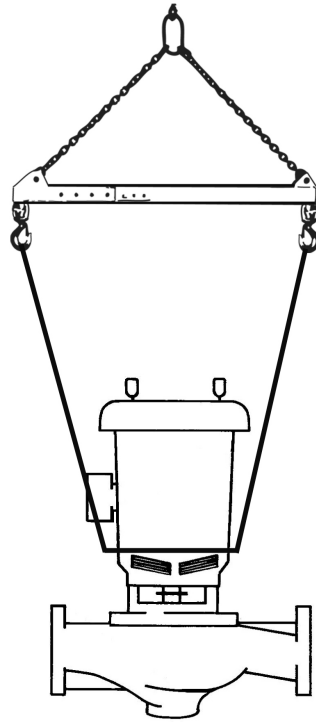


WARNING:

- Assembled units and their components are heavy. Failure to properly lift and support this equipment can result in serious physical injury and/or equipment damage. Lift equipment only at the specifically identified lifting points. Lifting devices such as eyebolts, slings, and spreaders must be rated, selected, and used for the entire load being lifted.
 - Crush hazard. The unit and the components can be heavy. Use proper lifting methods and wear steel-toed shoes at all times.
-

In order to lift the entire pump, use slings placed around the unit as shown.

Series e-80



Series e-80 with optional ITSC/IT

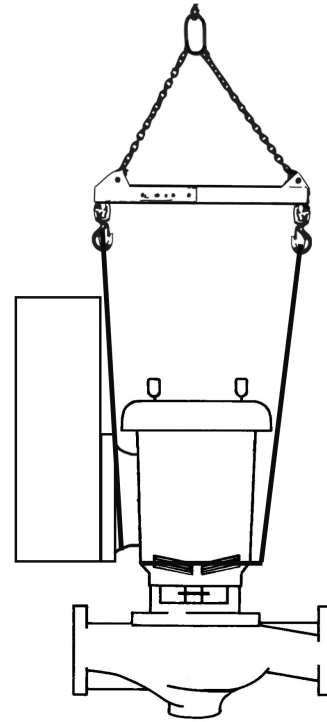


Figure 1: Proper lifting method

2.3 Long-term storage

If the unit is stored for more than 6 months, these requirements apply:

- Store in a covered and dry location.
- Store the unit free from heat, dirt, and vibrations.
- Rotate the shaft by hand several times at least every three months.

Treat bearing and machined surfaces so that they are well preserved. Refer to the drive unit and coupling manufacturers for their long-term storage procedures.

For questions about possible long-term storage treatment services, please contact your local sales and service representative.

3 Product Description

3.1 General description

The pump is a centrifugal, in-line, close-coupled pump. These features make the pump easy to install, operate, and service:

- High efficiency
- Rugged stainless steel-fitted construction
- Horizontal or vertical in-line mounting

Intended applications



WARNING:

California Proposition 65 warning! This product contains chemicals known to the state of California to cause cancer and birth defects or other reproductive harm.

NOTICE:

- This product is not intended for potable water applications.
- This product is non-submersible. For indoor use only.
- This product has not been investigated, nor is it intended for, use in swimming pools and marine areas.

The pump is intended for use with these pumped fluids:

- Unheated domestic and fresh water
- Boiler feed water
- Condensate
- Hydronic cooling or heating
- Benign liquids
- Pressure boosting
- General liquid transfer

Rotation

Pump rotation is clockwise when viewed from the back of the motor. An arrow is also located on the pump to show the direction of rotation.

3.2 Operational specifications

Mechanical seal specifications

Seal type/ Parameter	Standard seal, BUNA/Carbon/ Ceramic	Optional seal, EPR/Carbon / Tungsten Carbide	Optional seal, FKM/Carbon / Ceramic	Optional seal, EPR/Silicon Carbide/Silicon Carbide	Optional seal, EPR/Carbon / Tungsten Carbide with external flush ^{1,3,4}	Packing ²
Operating temperature range, °F (°C)	-20 to 225 (-29 to 107)	-20 to 250 (-29 to 121)	-10 to 225 (-23 to 107)	-20 to 250 (-29 to 121)	-20 to 250 (-29 to 121)	0 to 200 (-18 to 93)
pH range limits	7.0 to 9.0	7.0 to 11.0	7.0 to 9.0	7.0 to 12.5	7.0 to 9.0	7.0 to 9.0
Resistance to dissolved solids	Low	Low-Medium	Low	Medium-High	Low-Medium	Medium

Seal type/ Parameter	Standard seal, BUNA/Carbon/ Ceramic	Optional seal, EPR/Carbon / Tungsten Carbide	Optional seal, FKM/Carbon / Ceramic	Optional seal, EPR/Silicon Carbide/Silicon Carbide	Optional seal, EPR/Carbon / Tungsten Carbide with external flush ^{1,3,4}	Packing ²
Maximum glycol/water concentration	50/50%	50/50%	50/50%	60/40%	50/50%	Not recommended

Table notes

1. An external flush is required on low pressure systems that contain a high concentration of abrasives.
2. Use packing on open or closed systems which require a large amount of makeup water, as well as systems that are subjected to a wide variety of chemical conditions and solids buildup.
3. For operating temperatures above 250°F, a cooled flush is required and is recommended for temperatures above 225°F for optimum seal life. On closed systems, cooling is accomplished by inserting a small heat exchanger in the flush line to cool the seal flushing fluid.
4. Flush-line filters and sediment separators are available on request.

4 Installation

4.1 Preinstallation

Precautions



WARNING:

- When installing in a potentially explosive environment, make sure that the motor is properly certified.
 - You must ground (earth) all electrical equipment. This applies to the pump equipment, the driver, and any monitoring equipment. Test the ground (earth) lead to verify that it is connected correctly.
 - Motors without built-in protection must be provided with contactors and thermal overload protection for single-phase motors, or starters with heaters for three-phase motors. (See the nameplate on the drive unit to select properly-sized overloads.)
-

NOTICE:

Supervision by an authorized Xylem representative is recommended to ensure proper installation. Failure to do so may result in equipment damage or decreased performance.

Evaluate the installation in order to determine that the Net Positive Suction Head Available (NPSH_A) meets or exceeds the Net Positive Suction Head Required (NPSH_R), as stated by the pump performance curve.

4.1.1 Pump mounting guidelines

Series e-80 pumps can be mounted with the motor shaft horizontal or vertical (motor shaft down). When the optional Integrated Technologic with Sensorless Control (ITSC) or Integrated Technologic (IT) is installed, the pump can only be installed with the motor shaft vertical (motor shaft down).

The optional ITSC or IT can be oriented to different positions relative to the pump nozzles. This can be easily changed during pump installation by removing the motor mounting capscrews, raising the motor assembly slightly, 0.015 to 0.030" (if needed), and rotating the motor assembly around the pump centerline. Raising the motor assembly more than 0.030" could damage the mechanical seal. Replace the motor capscrews when the preferred position is determined.



CAUTION:

The pump and motor assembly must be properly supported during this procedure to prevent the pump unit or motor assembly from falling. Failure to properly support the pump and motor assembly could result in personal injury and or property damage.

4.1.2 Pump location guidelines



WARNING:

Assembled units and their components are heavy. Failure to properly lift and support this equipment can result in serious physical injury and/or equipment damage. Lift equipment only at the specifically identified lifting points. Lifting devices such as eyebolts, slings, and spreaders must be rated, selected, and used for the entire load being lifted.

Guideline	Explanation/comment
Keep the pump as close to the liquid source as practically possible. If the pump is not on a closed system, locate the pump so that the fewest number of bends or elbows in the suction pipe are needed.	This minimizes the friction loss and keeps the suction piping as short as possible.
Make sure that the space around the pump is sufficient.	This facilitates ventilation, inspection, maintenance, and service.
If you require lifting equipment such as a hoist or tackle, make sure that there is enough space above the pump.	This makes it easier to properly use the lifting equipment and safely remove and relocate the components to a safe location.
Protect the unit from weather and water damage due to rain, flooding, and freezing temperatures.	This is applicable if nothing else is specified.
Do not install and operate the equipment in closed systems unless the system is constructed with properly-sized safety devices and control devices.	Acceptable devices: <ul style="list-style-type: none"> • Pressure relief valves • Expansion tanks • Pressure controls • Temperature controls • Flow controls If the system does not include these devices, consult the engineer or architect in charge before you operate the pump.
Take into consideration the occurrence of unwanted noise and vibration.	The best pump location for noise and vibration absorption is on a concrete floor with subsoil underneath.
If the pump location is overhead, undertake special precautions to reduce possible noise transmission.	Consider a consultation with a noise specialist.
When possible, locate the pump below the fluid level.	This facilitates priming, ensures a steady flow of liquid, and provides a positive suction head on the pump.

4.1.3 Piping checklist



WARNING:

- The heating of water and other fluids causes volumetric expansion. The associated forces can cause the failure of system components and the release of high-temperature fluids. In order to prevent this, install properly sized and located compression tanks and pressure-relief valves. Failure to follow these instructions can result in serious personal injury or death, or property damage.
- Avoid serious personal injury and property damage. Make sure that the flange bolts are adequately torqued.

NOTICE:

Never force piping to make a connection with a pump.

Check	Explanation/comment	Checked
Check that a section of straight pipe, with a length that is five times its diameter, is installed between the suction side of the pump and the first elbow, or that a B&G Suction Diffuser Plus is installed.	This reduces suction turbulence by straightening the flow of liquid before it enters the pump.	
Check that the suction and discharge pipes are supported independently by use of pipe hangers near the pump .	This eliminates pipe strain on the pump .	
Check that there is a strong, rigid support for the suction and discharge lines.	As a rule, ordinary wire or band hangers are not adequate to maintain proper alignment.	

Check	Explanation/comment	Checked
For pumps with flanges, check that the bolt holes in the pump flanges match the bolt holes in the pipe flanges.	–	
For pumps mounted in vertical piping with the motor in the horizontal position, check that adequate support is provided.	This prevents strain on the pump parts and piping. Do not mount the pump with the motor vertically downward. Do not use motor lift rings to suspend the pump.	
Check that the suction or discharge lines are not forced into position.	Coupling and bearing wear will result if suction or discharge lines are forced into position. The code for Pressure Piping (A.S.A.B. 31.1) lists many types of supports available for various applications.	
Check that fittings for absorbing expansion are installed in the system when considerable temperature changes are expected.	This helps to avoid strain on the pump.	
Check that you have a foot valve of equal or greater area than the pump suction piping when you use in an open system with a suction lift.	Prevent clogging by using a strainer at the suction inlet next to the foot valve. Make sure that the strainer has an area three times that of the suction pipe with a mesh hole diameter of no less than 0.25 in. (0.64 cm).	
Check that flexible piping is used on both the suction and discharge sides of the pump when you use an isolation base.	–	
Check that a B&G Triple Duty® valve is installed in the discharge line.	This valve serves as a check valve that protects the pump from water hammer, and serves as an isolation valve for servicing and for throttling.	
Check that the pipeline has isolation valves around the pump and has a drain valve in the suction pipe.	–	

4.2 Typical pump installation

Various installation arrangements can be used as described below.

Series e-80 pumps can be installed directly in the piping with pipe hangers adequate to carry the loads from the pump and piping.

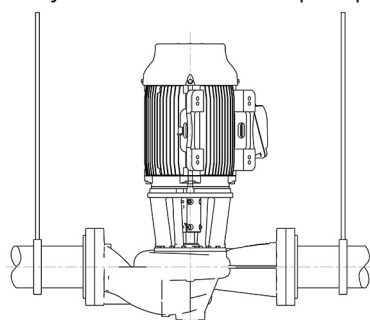


Figure 2

In many installations, the piping is installed near the ceiling with the pump located close to the floor for ease of maintenance. Pumps with up to 4 inch nozzles and up to 286 NEMA frame motors can be installed in this configuration with pipe hangers adequate to carry the loads from the pump, piping and piping accessories. Larger pumps can be installed in this configuration but require either the optional B&G Flange Supports or a floor support under the discharge elbow and an adjustable support leg under the B&G Suction Diffuser Plus.

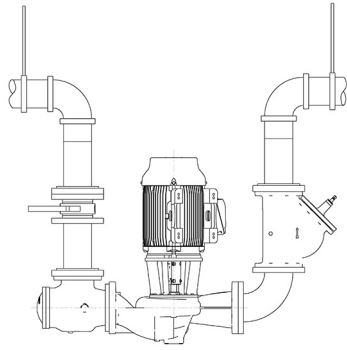


Figure 3

Pumps can be installed in the piping with floor mounted saddles adequate to carry the loads from the pump and piping.

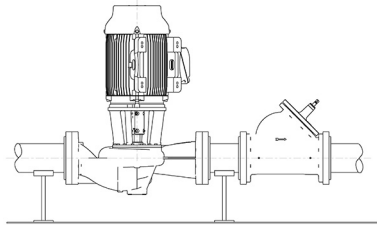


Figure 4

Optional B&G Flange Supports can be used when rigid pump support to the floor or isolation base is required. The supports are installed on the back side of the pump flanges and have tapped holes to accept the flange bolting and have mounting holes in their bases for anchor bolts. Pipe supports (not shown) are required such that the pump flanges are not supporting the piping.

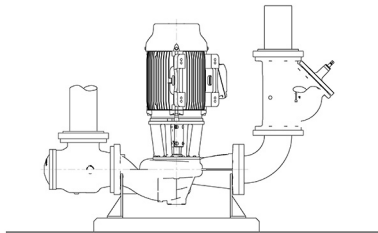


Figure 5

Alternately with the optional B&G Flange Supports, insulation pads can be used between the support and the floor.

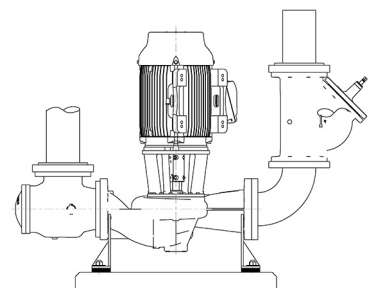


Figure 6

Pumps with motors 256 NEMA frame and below can be installed with the shaft horizontal and the piping vertical with supports for the piping (not shown) adequate to carry the loads from the pump and piping.

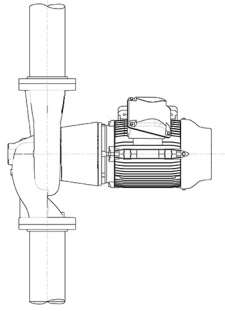


Figure 7

Pumps with motors 256 NEMA frame and below can also be installed with the shaft horizontal and the piping horizontal with supports for the piping (not shown) adequate to carry the loads from the pump.

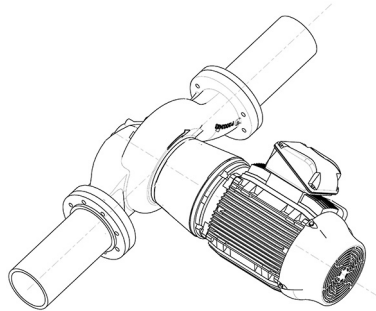


Figure 8

e-80 pumps have a four bolt circle on the bottom of the volute to accept an ANSI/ASME flange that can be used with a connected pipe as a temporary pump support while the permanent pump piping or pump supports are being fitted to the pump. This support can only be used to handle the pump weight as it is not suitable resist loads in other directions.

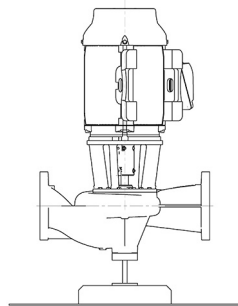
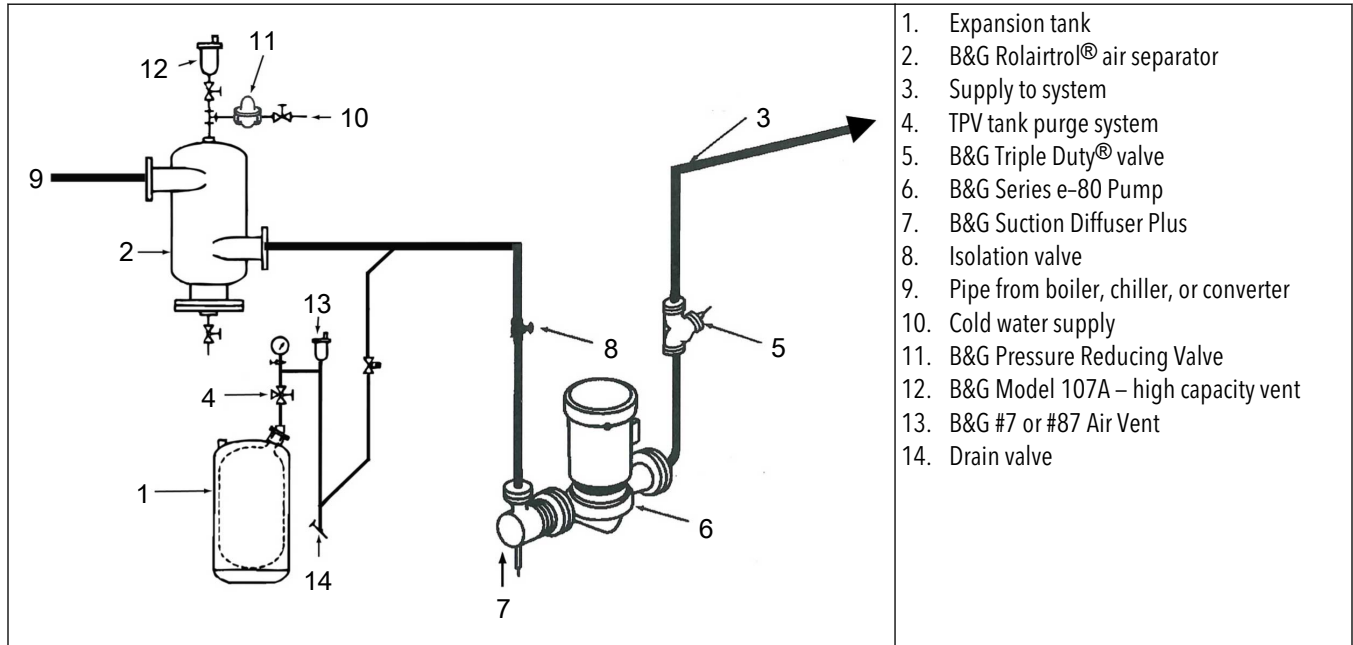


Figure 9

For installations in grooved piping systems when the pump is supported by the piping, flange locking type grooved piping connections are required to prevent the pump from rotating in the piping.

4.3 Typical system installation



Check that the control and safety devices have these characteristics:

- Properly sized for their purpose
- Placed correctly in the system before putting the system into operation

5 Commissioning, Startup, Operation, and Shutdown

5.1 Preparation for startup



WARNING:

- Failure to follow these precautions before you start the unit will lead to serious personal injury and equipment failure.
 - Do not operate the pump below the minimum rated flows or with the suction or discharge valves closed. These conditions can create an explosive hazard due to vaporization of pumped fluid and can quickly lead to pump failure and physical injury.
 - If the pump, motor, or piping operate at extremely high or low temperatures, then guarding or insulation is required. Failure to follow these instructions can result in serious personal injury or death, and property damage.
 - Always disconnect and lock out power to the driver before you perform any installation or maintenance tasks. Failure to disconnect and lock out driver power will result in serious physical injury.
 - Operating the pump in reverse rotation can result in the contact of metal parts, heat generation, and breach of containment.
-

NOTICE:

- Verify the driver settings before you start any pump.
 - Make sure that the warm-up rate does not exceed 2.5°F (1.4°C) per minute.
-

You must follow these precautions before you start the pump:

- Flush and clear the system thoroughly to remove dirt or debris in the pipe system in order to prevent premature failure at initial startup.
- Bring variable-speed drivers to the rated speed as quickly as possible.
- Run a new or rebuilt pump at a speed that provides enough flow to flush and cool the close-running surfaces of the stuffing-box bushing.
- If temperatures of the pumped fluid will exceed 200°F (93°C), then warm up the pump prior to operation. Circulate a small amount of fluid through the pump until the casing temperature is within 100°F (38°C) of the fluid temperature.

At initial startup, do not adjust the variable-speed drivers or check for speed governor or over-speed trip settings while the variable-speed driver is coupled to the pump. If the settings have not been verified, then uncouple the unit and refer to instructions supplied by the driver manufacturer.

5.1.1 Check the rotation



WARNING:

- Operating the pump in reverse rotation can result in the contact of metal parts, heat generation, and breach of containment.
 - Always disconnect and lock out power to the driver before you perform any installation or maintenance tasks. Failure to disconnect and lock out driver power will result in serious physical injury.
-

1. Unlock power to the driver.
2. Make sure that everyone is clear, and then jog the driver long enough to determine that the direction of rotation corresponds to the arrow on the pump.
3. Lock out power to the driver.

5.2 Prime the pump



CAUTION:

Do not run the pump dry.

Make sure that the pump body is full of liquid before startup. If the system does not automatically fill the pump body with liquid, then you must manually prime the pump.

1. Loosen the vent plugs on the pump body.
2. While venting the air from the pump body, rotate the pump shaft a few times by hand.
3. After all air has been purged from the pump, close the vent plugs.

5.3 Start the pump



CAUTION:

- Observe the pump for vibration levels, bearing temperature, and excessive noise. If normal levels are exceeded, shut down the pump and resolve the issue.
-

If your Series e-80 pump is equipped with the optional ITSC or IT drive, refer to the ITSC/IT instruction manual for proper setup and running requirements.

Before you start the pump, you must perform these tasks:

- Open any recirculation or cooling lines.
1. Fully close or partially open the discharge valve, depending on system conditions.
 2. Start the driver.
 3. Slowly open the discharge valve until the pump reaches the desired flow.
 4. Immediately check the pressure gauge to ensure that the pump quickly reaches the correct discharge pressure.
 5. If the pump fails to reach the correct pressure, perform these steps:
 - a) Stop the driver.
 - b) Prime the pump again.
 - c) Restart the driver.
 6. Monitor the pump while it is operating:
 - a) Check the pump for bearing temperature, excessive vibration, and noise.
 - b) If the pump exceeds normal levels, then shut down the pump immediately and correct the problem.
 7. Repeat steps 5 and 6 until the pump runs properly.

5.4 Pump operation precautions

General considerations



CAUTION:

- Vary the capacity with the regulating valve in the discharge line. Never throttle the flow from the suction side since this can result in decreased performance, unexpected heat generation, and equipment damage.
 - Do not overload the driver. Driver overload can result in unexpected heat generation and equipment damage. The driver can overload in these circumstances:
 - The specific gravity of the pumped fluid is greater than expected.
 - The pumped fluid exceeds the rated flow rate.
 - Make sure to operate the pump at or near the rated conditions. Failure to do so can result in pump damage from cavitation or recirculation.
-

Operation at reduced capacity

**WARNING:**

Never operate any pumping system with a blocked suction and discharge. Operation, even for a brief period under these conditions, can cause confined pumped fluid to overheat, which results in a violent explosion. You must take all necessary measures to avoid this condition.

**CAUTION:**

Avoid excessive vibration levels. Excessive vibration levels can damage the bearings, stuffing box or seal chamber, and the mechanical seal, which can result in decreased performance.

NOTICE:

- Avoid increased radial load. Failure to do so can cause stress on the shaft and bearings.
 - Avoid heat build-up. Failure to do so can cause rotating parts to score or seize.
 - Avoid cavitation. Failure to do so can cause damage to the internal surfaces of the pump.
-

Operation under freezing conditions

NOTICE:

Do not expose an idle pump to freezing conditions. Drain all liquid that is inside the pump and the flush lines. Failure to do so can cause liquid to freeze and damage the pump.

5.5 Shut down the pump

1. Slowly close the discharge valve.
2. Shut down and lock the driver to prevent accidental rotation.

5.6 Note on the packed pump operation

Tighten the gland nuts

Before you start the pump, back off the packing gland nuts or screws until the gland is loose.

Hand tighten until the gland is snug against the first packing ring. Initially, water might freely run from the packing. This is normal and should be allowed to continue for a period of time before you continue to tighten the gland. Tighten the gland nuts slowly and one flat at a time.

Leakage rate

An adequate leakage rate is not one single value for all pumps and installations, but is the amount required to provide adequate cooling and lubrication. The required leakage is influenced by operating pressure, fluid temperature, shaft speed, and so forth. For fluid temperatures in the range of 32°F to 190°F (0°C to 88°C), average leakage rates of 60 to 80 drops per minute are recommended. However, each individual pump and installation has unique operating conditions that result in widely-variable leakage rate requirements.

Maximum fluid temperature

At fluid operating temperatures near the upper limit of 190°F (88°C), the maximum temperature rise of the leakage is important. Never operate a packed pump with steam forming at the gland. This limits the temperature rise to a maximum of about 20°F (-7°C). If the formation of steam persists at higher leakage rates, you must provide cooling water by means of an external supply, or a heat exchanger used to cool the bypass flush.

5.7 Vibration

After startup, vibration can be measured on the pump bracket at the base of the horizontal (H), vertical (V), and axial (A) directions. The maximum expected value is 0.15 in/sec (3.8 mm/sec) RMS (ANSI/HI 9.6.4) when operating in the Preferred Operating Range (POR) flows from 70% to 120% of the best efficiency point (BEP) (ANSI/HI 9.6.3). Operation outside the POR, but within the Allowable Operating Range (AOR) from minimum flow to 85% of the end of the curve increases the vibration value by 30%. If the vibration recorded exceeds these values, shut down the pump, diagnose and fix the problem, re-start, and re-check the vibration.

6 Maintenance

6.1 Lubrication

The pump motor has been lubricated at the factory. Keep the motor properly lubricated in accordance with the motor manufacturer's instructions.

6.2 Disassembly

6.2.1 Disassembly precautions

This manual clearly identifies accepted methods for disassembling units. These methods must be adhered to.



WARNING:

- Make sure that the pump is isolated from the system and that pressure is relieved before you disassemble the pump, remove plugs, open vent or drain valves, or disconnect the piping.
- Always disconnect and lock out power to the driver before you perform any installation or maintenance tasks. Failure to disconnect and lock out driver power will result in serious physical injury.
- Crush hazard. The unit and the components can be heavy. Use proper lifting methods and wear steel-toed shoes at all times.

NOTICE:

Make sure that all replacement parts are available before you disassemble the pump for overhaul.

6.2.2 Drain the pump



CAUTION:

- Allow all system and pump components to cool before you handle them to prevent physical injury.

-
1. Close the isolation valves on the suction and discharge sides of the pump.
You must drain the system if no valves are installed.
 2. Open the drain valve.
Do not proceed until liquid stops coming out of the drain valve. If liquid continues to flow from the drain valve, the isolation valves are not sealing properly and you must repair them before you proceed.
 3. Leave the drain valve open and remove the drain plug located on the bottom of the pump housing.
Do not reinstall the plug or close the drain valve until the reassembly is complete.
 4. Drain the liquid from the piping and flush the pump if it is necessary.
 5. Disconnect all auxiliary piping and tubing.

6.2.3 Remove the pump assembly

1. Loosen the volute capscrews but do not remove them.
2. Use the capscrews in the jackscrew holes in order to loosen the pump assembly from the volute.

**WARNING:**

Pressurized device. Make sure that the internal pressure is relieved before you continue.

3. Remove the seal flushing line.
4. Remove the volute capscrews.
5. Remove the pump assembly from the volute.

6.2.4 Remove the impeller

**WARNING:**

Never apply heat to remove an impeller. The use of heat may cause an explosion due to trapped liquid, resulting in severe physical injury and property damage.

**CAUTION:**

Wear heavy work gloves when you handle impellers. The sharp edges can cause physical injury.

1. Remove the impeller capscrew.
2. Remove the lockwasher and the washer.
3. Remove the impeller.

6.2.5 Remove the mechanical seal (e-80-F)

1. Remove the rotating portion of the seal.
If necessary, use a screwdriver to loosen the rubber ring.
2. Remove the seal insert, the insert gasket, and the retainer if it is used.

6.2.6 Remove the seal or packing rings (e-80-S, e-80-D, and e-80-PF)

1. Remove the hex nuts from the seal cap bolts.
2. For the 80-PF, remove the hex nuts that hold the packing gland to the stuffing box.
3. Remove the coverplate screws.
4. Remove the coverplate from the bracket.
5. Remove the seal assembly or packing rings.

6.2.7 Remove the box type single mechanical seal (e-80-S)

1. Remove the screws from the seal gland.
2. Remove the coverplate screws.
3. Remove the coverplate from the bracket.
4. Remove the seal assembly.

6.2.8 Impeller trimming guidelines

Machining

When it is necessary to reduce the pump flow rate and generated head by trimming the impeller diameter, the following guidelines apply for stainless steel impellers:

- Review the pump hydraulic selection data and consult your local Xylem representative to select the proper reduced diameter.
- For the e-80 5x5x7B model, before trimming the impeller refer to the angle cut guidelines below.
- For machining recommendations, see P2002535 Stainless Steel Impeller Trimming Guidelines.

Balancing

It is recommended that impellers trimmed more than 5% in diameter be rebalanced per ISO 1940 grade G6.3.

Angle cut guidelines

Model e-80 5x5x7B pump impellers must be angle cut at reduced diameters according to the following information.

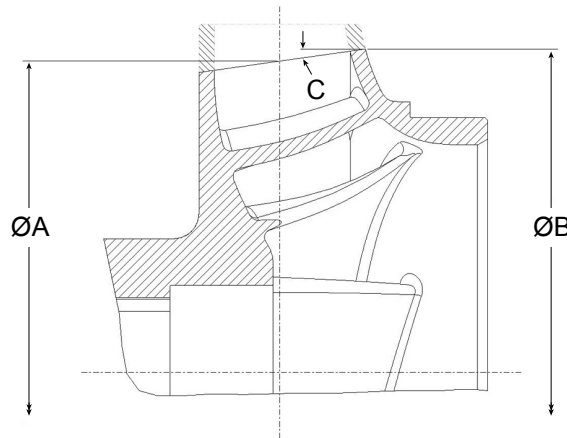


Figure 10: 5x5x7B impeller trim – 0.125 in. (3.17 mm) increments

A	B	C
Hydraulic diameter, nominal, as shown on selection curves	Diameter at impeller inlet side shroud	Trim angle
From maximum diameter 7 in. (177.8 mm) to 6.125 in. (155.6 mm)	Use diameter from selection curves	0 degrees, no angle
6, 5.875, 5.75, 5.625 in. (162.4 to 142.9 mm)	B = A plus 0.250 in. (6.35 mm)	8 degrees
5.5, 5.375, 5.25, 5.125, minimum 5 in. (139.7 to 127.0 mm)	B = A plus 0.375 in. (9.53 mm)	8 degrees

6.3 Pre-assembly inspections

Guidelines

Before you assemble the pump parts, make sure you follow these guidelines:

- Inspect the pump parts according to the information in these pre-assembly topics before you reassemble your pump. Replace any part that does not meet the required criteria.
- Make sure that the parts are clean. Clean the pump parts in solvent in order to remove oil, grease, and dirt.

NOTICE:

Protect machined surfaces while you clean the parts. Failure to do so may result in equipment damage.

6.3.1 Replacement guidelines

Impeller replacement

This table shows the criteria for replacing the impeller:

Impeller parts	When to replace
Impeller vanes	<ul style="list-style-type: none"> • When grooved deeper than 1/16 in. (1.6 mm), or • When worn evenly more than 1/32 in. (0.8 mm)

Impeller parts	When to replace
Vane edges	When you see cracks, pitting, or corrosion damage

Gaskets, O-rings, and seat replacement

- Replace all gaskets and O-rings at each overhaul and disassembly.
- Inspect the seats. They must be smooth and free of physical defects.

6.3.2 Shaft and sleeve inspection

Inspection criteria

Inspect the shaft and sleeve according to this criteria:

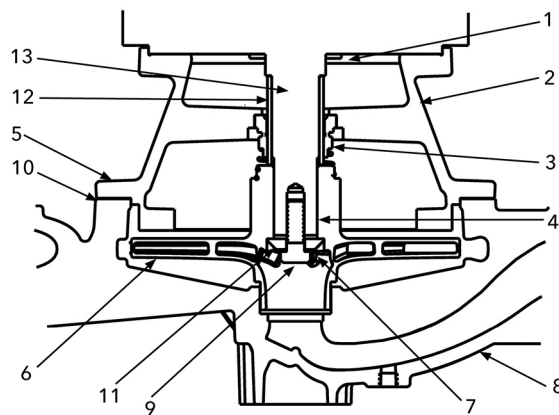
- Thoroughly clean the shaft and sleeve.
- Thoroughly clean the coverplate seal cavity.
- Inspect the surface for damage such as pitting, corrosion, nicks, and scratches.

Replace these parts if they are damaged.

6.4 Reassembly

6.4.1 Assemble the standard mechanical seal (e-80-F)

1. Lubricate the shaft sleeve and coverplate seal cavity with soapy water.
Do not use a petroleum lubricant.
2. Install a new insert gasket.
3. Install a new seal insert and make sure that the indentation is against the insert gasket.
4. Slide a new rotating seal assembly onto the shaft sleeve.
5. Push the top of the compression ring with a screwdriver until the seal is tight against the seal insert.
6. Install the seal spring and point the narrow end toward the seal.



1. Slinger
2. Bracket coverplate
3. Seal assembly
4. Impeller key
5. Volute capscrew
6. Impeller
7. Impeller lockwasher
8. Volute
9. Impeller capscrew
10. Volute gasket
11. Impeller washer
12. Shaft sleeve
13. Shaft

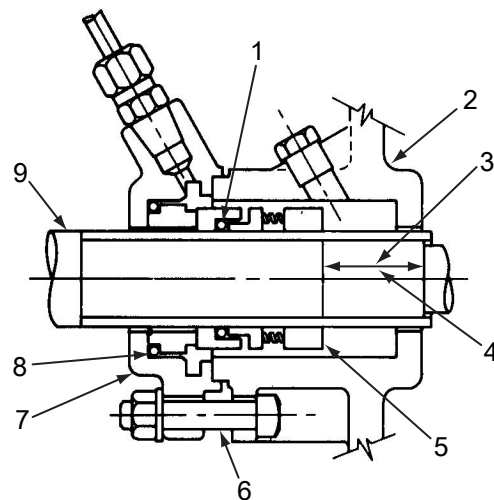
Figure 11: Standard mechanical seal

6.4.2 Assemble the single mechanical seal (e-80-S)

1. Lubricate the shaft sleeve and seal cap with soapy water.
Do not use a petroleum lubricant.
2. Insert a stationary seal with an O-ring into the seal cap and slide it onto the shaft.
3. Replace the seal cap gasket.
4. Slide the rotating portion of the seal assembly onto the shaft sleeve and lock it in place.

ID seal size	Distance between collar and impeller end of the shaft sleeve
1-1/4 in. (3.175 cm)	1-13/32 in. (3.571 cm)
1-5/8 in. (4.128 cm)	1-1/4 in. (3.175 cm)

5. Assemble the coverplate onto the bracket.
6. Tighten the capscrews according to the Capscrew torque table.
7. Attach the seal cap to the coverplate.
8. Tighten the hex nuts on the seal cap bolts according to the Capscrew torque table.



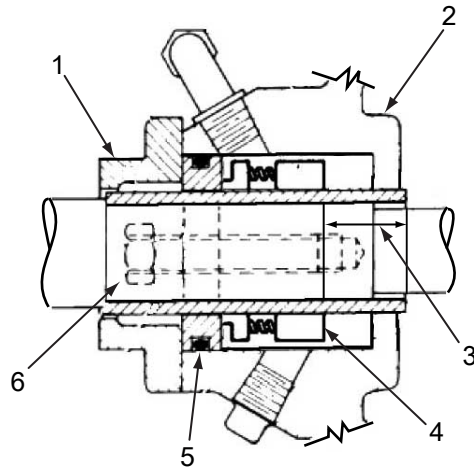
1. O-ring
2. Coverplate
3. For 1-1/4 in. seal: 1-13/32 in. (3.571 cm)
For 1-5/8 in. seal: 1-1/4 in. (3.175 cm)
4. For 1-1/4 in. seal: 1-13/32 in. (3.571 cm)
For 1-5/8 in. seal: 1-1/4 in. (3.175 cm)
5. Seal locking collar
6. Seal cap bolt
7. Seal cap
8. O-ring
9. Motor end

Figure 12: Single mechanical seal (e-80-S)

6.4.3 Assemble the box type single mechanical seal (e-80-S)

1. Lubricate the shaft sleeve with soapy water.
Do not use a petroleum lubricant.
2. Slide the stationary seal with an O-ring onto the shaft.
3. Slide the rotating portion of the seal assembly onto the shaft sleeve and lock it in place a distance of 55/64 in. (2.813 cm) from the seal collar to the impeller end of the shaft sleeve.
4. Assemble the coverplate onto the bracket.
5. Tighten the capscrews according to the Capscrew torque table.

6. Attach the seal gland to the coverplate.
7. Tighten the capscrews to the seal gland according to the Capscrew torque table.

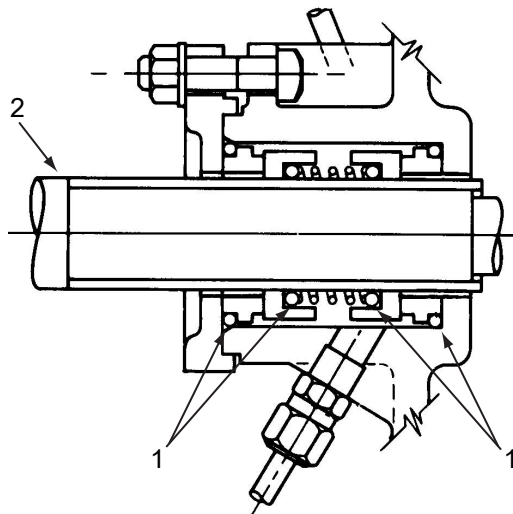


1. Seal gland
2. Coverplate
3. For 2 in. seal: 55/64 in. (2.813 cm)
4. Seal locking collar
5. O-ring
6. Seal gland capscrew

Figure 13: 2-inch single mechanical seal

6.4.4 Assemble the double mechanical seal (e-80-D)

1. Lubricate the shaft sleeve, seal cap, and coverplate cavity with soapy water. Do not use a petroleum lubricant.
2. Insert a stationary seal and O-ring into the seal cap. For the 1-1/4 in. ID seal, both parts are housed in the coverplate. A seal cap gasket is not used.



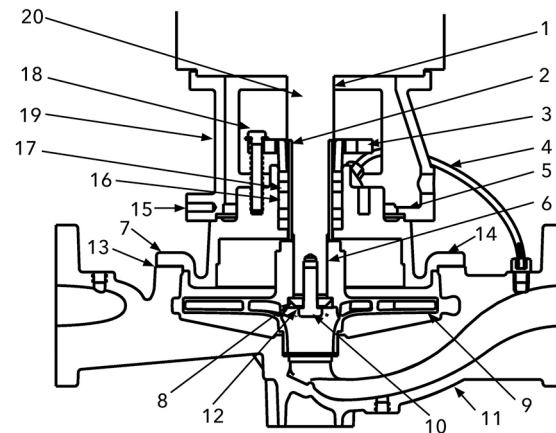
1. O-rings
2. Motor end

Figure 14: Double mechanical seal (e-80-D)

3. Insert another stationary seal and O-ring into the coverplate.
4. Slide the seal cap onto the shaft.

5. Replace the seal cap gasket.
6. Slide the rotating portion of the seal assembly onto the shaft sleeve.
7. Assemble the coverplate onto the bracket.
8. Tighten the capscrews according to the Capscrew torque values table.
9. Attach the seal cap to the coverplate.
10. Tighten the hex nuts on the seal cap bolts according to the Capscrew torque values table.

6.4.5 Assemble the packed stuffing box (e-80-PF)



1. Slinger
2. Shaft sleeve
3. Packing gland
4. Flush line
5. Coverplate capscrew
6. Impeller key
7. Volute capscrew
8. Impeller washer
9. Impeller
10. Impeller capscrew
11. Volute
12. Impeller lockwasher
13. Volute gasket
14. Coverplate
15. Drip drain
16. Lantern ring
17. Packing
18. Gland bolt
19. Bracket
20. Shaft

Figure 15: Packed stuffing box

1. Insert two packing rings into the stuffing box.
2. Insert the lantern ring and the last two pieces of packing.
Make sure that the joints on the packing rings are staggered 90°.
3. Install, but do not tighten, the packing gland.
4. Install the coverplate over the pump shaft.
5. Tighten the capscrews according to the Capscrew torque table in the Maintenance chapter.
6. Tighten the packing gland to compress the packing.
See the note on the packed pump operation in the Operations chapter for more information.

6.4.6 Install the impeller

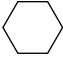


1. Install the impeller, impeller washer, lockwasher, and capscrew.
2. Tighten the capscrew according to the Capscrew torque values table.

6.4.7 Reinstall the pump assembly

1. Install a new volute gasket.
2. Install the pump assembly into the volute.
3. Tighten the volute capscrews according to the Capscrew torque table.
4. Install a seal flushing tube.
5. Install the drain plug.
6. Open the isolation valves and inspect the pump for leaks.
7. Return the pump to service if it is not leaking.

6.4.8 Screw torque values

Capscrew torque in ft-lb (Nm)

Capscrew type	Head marking	Capscrew diameter (in inches)								
		1/4	5/16	3/8	7/16	1/2	5/8	3/4	7/8	1
SAE grade 2		6 (8)	13 (18)	25 (34)	38 (52)	60 (81)	120 (163)	190 (258)	210 (285)	300 (407)
Brass and stainless steel	or 	4 (5)	10 (14)	17 (23)	27 (37)	42 (57)	83 (113)	130 (176)	200 (271)	300 (407)
SAE grade 5		10 (14)	20 (27)	35 (47)	60 (81)	90 (122)	180 (244)	325 (440)	525 (712)	800 (1085)

6.4.9 Dealer servicing

If trouble occurs that cannot be rectified, contact your local sales and service representative and be prepared to provide this information:

1. Complete nameplate data of pump and motor
2. Suction and discharge pipe pressure gauge readings
3. Ampere draw of the motor
4. A sketch of the pump hook-up and piping

7 Product warranty

Commercial warranty

Warranty. For goods sold to commercial buyers, Seller warrants the goods sold to Buyer hereunder (with the exception of membranes, seals, gaskets, elastomer materials, coatings and other "wear parts" or consumables all of which are not warranted except as otherwise provided in the quotation or sales form) will be (i) be built in accordance with the specifications referred to in the quotation or sales form, if such specifications are expressly made a part of this Agreement, and (ii) free from defects in material and workmanship for a period of one (1) year from the date of installation or eighteen (18) months from the date of shipment (which date of shipment shall not be greater than thirty (30) days after receipt of notice that the goods are ready to ship), whichever shall occur first, unless a longer period is specified in the product documentation (the "Warranty").

Except as otherwise required by law, Seller shall, at its option and at no cost to Buyer, either repair or replace any product which fails to conform with the Warranty provided Buyer gives written notice to Seller of any defects in material or workmanship within ten (10) days of the date when any defects or non-conformance are first manifest. Under either repair or replacement option, Seller shall not be obligated to remove or pay for the removal of the defective product or install or pay for the installation of the replaced or repaired product and Buyer shall be responsible for all other costs, including, but not limited to, service costs, shipping fees and expenses. Seller shall have sole discretion as to the method or means of repair or replacement. Buyer's failure to comply with Seller's repair or replacement directions shall terminate Seller's obligations under this Warranty and render the Warranty void. Any parts repaired or replaced under the Warranty are warranted only for the balance of the warranty period on the parts that were repaired or replaced. Seller shall have no warranty obligations to Buyer with respect to any product or parts of a product that have been: (a) repaired by third parties other than Seller or without Seller's written approval; (b) subject to misuse, misapplication, neglect, alteration, accident, or physical damage; (c) used in a manner contrary to Seller's instructions for installation, operation and maintenance; (d) damaged from ordinary wear and tear, corrosion, or chemical attack; (e) damaged due to abnormal conditions, vibration, failure to properly prime, or operation without flow; (f) damaged due to a defective power supply or improper electrical protection; or (g) damaged resulting from the use of accessory equipment not sold or approved by Seller. In any case of products not manufactured by Seller, there is no warranty from Seller; however, Seller will extend to Buyer any warranty received from Seller's supplier of such products.

THE FOREGOING WARRANTY IS EXCLUSIVE AND IN LIEU OF ANY AND ALL OTHER EXPRESS OR IMPLIED WARRANTIES, GUARANTEES, CONDITIONS OR TERMS OF WHATEVER NATURE RELATING TO THE GOODS PROVIDED HEREUNDER, INCLUDING WITHOUT LIMITATION ANY IMPLIED WARRANTIES OF MERCHANTABILITY AND FITNESS FOR A PARTICULAR PURPOSE, WHICH ARE HEREBY EXPRESSLY DISCLAIMED AND EXCLUDED. EXCEPT AS OTHERWISE REQUIRED BY LAW, BUYER'S EXCLUSIVE REMEDY AND SELLER'S AGGREGATE LIABILITY FOR BREACH OF ANY OF THE FOREGOING WARRANTIES ARE LIMITED TO REPAIRING OR REPLACING THE PRODUCT AND SHALL IN ALL CASES BE LIMITED TO THE AMOUNT PAID BY THE BUYER FOR THE DEFECTIVE PRODUCT. IN NO EVENT SHALL SELLER BE LIABLE FOR ANY OTHER FORM OF DAMAGES, WHETHER DIRECT, INDIRECT, LIQUIDATED, INCIDENTAL, CONSEQUENTIAL, PUNITIVE, EXEMPLARY OR SPECIAL DAMAGES, INCLUDING BUT NOT LIMITED TO LOSS OF PROFIT, LOSS OF ANTICIPATED SAVINGS OR REVENUE, LOSS OF INCOME, LOSS OF BUSINESS, LOSS OF PRODUCTION, LOSS OF OPPORTUNITY OR LOSS OF REPUTATION.

Limited consumer warranty

Warranty. For goods sold for personal, family or household purposes, Seller warrants the goods purchased hereunder (with the exception of membranes, seals, gaskets, elastomer

materials, coatings and other "wear parts" or consumables all of which are not warranted except as otherwise provided in the quotation or sales form) will be free from defects in material and workmanship for a period of one (1) year from the date of installation or eighteen (18) months from the product date code, whichever shall occur first, unless a longer period is provided by law or is specified in the product documentation (the "Warranty").

Except as otherwise required by law, Seller shall, at its option and at no cost to Buyer, either repair or replace any product which fails to conform with the Warranty provided Buyer gives written notice to Seller of any defects in material or workmanship within ten (10) days of the date when any defects or non-conformance are first manifest. Under either repair or replacement option, Seller shall not be obligated to remove or pay for the removal of the defective product or install or pay for the installation of the replaced or repaired product and Buyer shall be responsible for all other costs, including, but not limited to, service costs, shipping fees and expenses. Seller shall have sole discretion as to the method or means of repair or replacement. Buyer's failure to comply with Seller's repair or replacement directions shall terminate Seller's obligations under this Warranty and render this Warranty void. Any parts repaired or replaced under the Warranty are warranted only for the balance of the warranty period on the parts that were repaired or replaced. The Warranty is conditioned on Buyer giving written notice to Seller of any defects in material or workmanship of warranted goods within ten (10) days of the date when any defects are first manifest.

Seller shall have no warranty obligations to Buyer with respect to any product or parts of a product that have been: (a) repaired by third parties other than Seller or without Seller's written approval; (b) subject to misuse, misapplication, neglect, alteration, accident, or physical damage; (c) used in a manner contrary to Seller's instructions for installation, operation and maintenance; (d) damaged from ordinary wear and tear, corrosion, or chemical attack; (e) damaged due to abnormal conditions, vibration, failure to properly prime, or operation without flow; (f) damaged due to a defective power supply or improper electrical protection; or (g) damaged resulting from the use of accessory equipment not sold or approved by Seller. In any case of products not manufactured by Seller, there is no warranty from Seller; however, Seller will extend to Buyer any warranty received from Seller's supplier of such products.

THE FOREGOING WARRANTY IS PROVIDED IN PLACE OF ALL OTHER EXPRESS WARRANTIES. ALL IMPLIED WARRANTIES, INCLUDING BUT NOT LIMITED TO THE IMPLIED WARRANTIES OF MERCHANTABILITY AND FITNESS FOR A PARTICULAR PURPOSE, ARE LIMITED TO ONE (1) YEAR FROM THE DATE OF INSTALLATION OR EIGHTEEN (18) MONTHS FROM THE PRODUCT DATE CODE, WHICHEVER SHALL OCCUR FIRST. EXCEPT AS OTHERWISE REQUIRED BY LAW, BUYER'S EXCLUSIVE REMEDY AND SELLER'S AGGREGATE LIABILITY FOR BREACH OF ANY OF THE FOREGOING WARRANTIES ARE LIMITED TO REPAIRING OR REPLACING THE PRODUCT AND SHALL IN ALL CASES BE LIMITED TO THE AMOUNT PAID BY THE BUYER FOR THE DEFECTIVE PRODUCT. IN NO EVENT SHALL SELLER BE LIABLE FOR ANY OTHER FORM OF DAMAGES, WHETHER DIRECT, INDIRECT, LIQUIDATED, INCIDENTAL, CONSEQUENTIAL, PUNITIVE, EXEMPLARY OR SPECIAL DAMAGES, INCLUDING BUT NOT LIMITED TO LOSS OF PROFIT, LOSS OF ANTICIPATED SAVINGS OR REVENUE, LOSS OF INCOME, LOSS OF BUSINESS, LOSS OF PRODUCTION, LOSS OF OPPORTUNITY OR LOSS OF REPUTATION.

Some states do not allow limitations on how long an implied warranty lasts, so the above limitation may not apply to you. Some states do not allow the exclusion or limitation of incidental or consequential damages, so the above exclusions may not apply to you. This warranty gives you specific legal rights, and you may also have other rights which may vary from state to state.

To make a warranty claim, check first with the dealer from whom you purchased the product or visit www.xyleminc.com for the name and location of the nearest dealer providing warranty service.

Xylem |'zīləm|

- 1) The tissue in plants that brings water upward from the roots
- 2) A leading global water technology company

We're a global team unified in a common purpose: creating innovative solutions to meet our world's water needs. Developing new technologies that will improve the way water is used, conserved, and re-used in the future is central to our work. We move, treat, analyze, and return water to the environment, and we help people use water efficiently, in their homes, buildings, factories and farms. In more than 150 countries, we have strong, long-standing relationships with customers who know us for our powerful combination of leading product brands and applications expertise, backed by a legacy of innovation.

For more information on how Xylem can help you, go to xyleminc.com



Xylem Inc.
8200 N. Austin Avenue
Morton Grove, IL 60053
Tel: 1-847-966-3700
Fax: 1-847-965-8379
www.bellgossett.com

Visit our Web site for the latest version of this document and more information

The original instruction is in English. All non-English instructions are translations of the original instruction.

© 2015 Xylem Inc

Bell & Gossett is a trademark of Xylem Inc or one of its subsidiaries.